

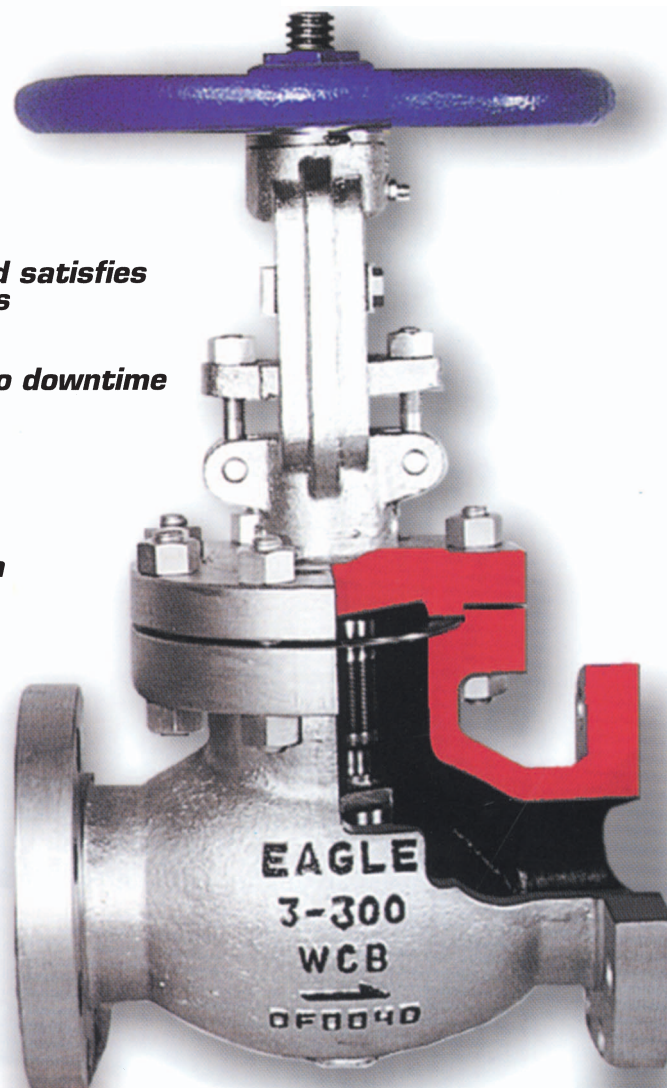


The EPA states: that bellows seals are "the best available technology" to control fugitive emissions.

Our bellows technology also keeps any corrosive or harmful atmospheric condition from entering the process.

Cast Steel Globe Valves 2 1/2" - 12"

- **Inconel Bellows**
For longer life and maximum corrosion resistance
- **Very Compact**
Lower Piping Costs
- **Zero Stem Leakage**
Eliminates media loss and satisfies environmental regulations
- **Zero Maintenance**
Lower operating costs/no downtime
- **Reduce Monitoring Costs**
- **Three Stem Seals For Safety**
*Metallic bellows
Graphite packing
Backseat in open position*
- **Hardfaced Seating Surface**
*Stellite 6 for long life
Soft Seat Available*
- **Valve Designed, Manufactured And Tested To ANSI B16.34/API 598**
- **Additional Alloy And Trims**
- **For Applications Where Leakage Into Or Out Of The Valve Is Unacceptable**
*Heat Transfer Oil
Toxic Fluids
Steam
Regulated Media*



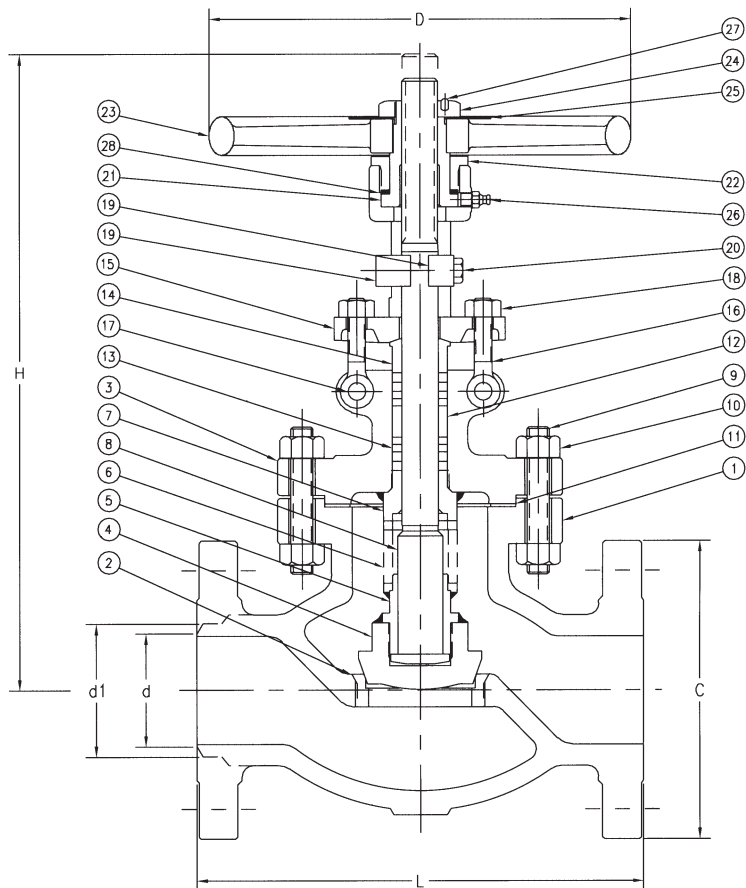
Materials

No.	Part	Carbon Steel (C22)	Stainless Steel (S44)
1	Body	A216WCB	A351 CF8M
2	Seat Ring	A105*	---
3	Bonnet	A216WCB	A351 CF8M
4	Disc	A216WCB+13CR	Type 316 SS
5	Disc Nut	Type 316 SS	Type 316 SS
6	Bellows Assy.	INCONEL 625**	INCONEL 625**
7	Bonnet Bushing	Type 316 SS	Type 316 SS
8	Stem	Type 410 SS	Type 316 SS
9	Joint Bolt	A193 B7	A193 B8
10	Hex Nut	A194 2H	A194 8
11	Gasket	Graphite/316 SS	Graphite/316 SS
12	Packing Washer	Type 410 SS	---
13	Gland Packing	Graphite	Graphite
14	Gland Bushing	Type 410 SS	Type 316 SS
15	Gland Plate	A216 WCB	A351 CF8
16	Gland Bolt	Carbon Steel	Type 304 SS
17	Pin	Carbon Steel	Stainless Steel
18	Hex Nut	Carbon Steel	Type 304 SS
19	Guide Plate	Carbon Steel	Type 316 SS
20	Hex Bolt	Carbon Steel	Type 316 SS
21	Sleeve	Ductile Iron	Copper Alloy
22	Yoke Cap	Carbon Steel	---
23	Handwheel	Malleable Iron	Malleable Iron
24	Handle Nut	Carbon Steel	Stainless Steel
25	Name Plate	Aluminum	Aluminum
26	Grease Fitting	Carbon Steel	Carbon Steel
27	Set Screw	Alloy Steel	Stainless Steel
28	Thrust Collar	Copper Alloy	Copper Alloy

*Stellite overlay on seating area. Stellite is a registered trademark of Thermadyne.

** INCONEL is a trademark of Huntington Alloys, Inc.

Cast Steel Globe Valves 2 1/2" - 12"



Operating Characteristics and Dimensions

ANSI 150

Flanged and Butt Weld End

SIZE	d	d1	C	L	H	D	LIFT	Cv	WT (lbs) FL	WT (lbs) BW
2 1/2	2.469	2.96	7.00	8.50	15	10	.63	55	70	55
3	3.068	3.59	7.50	9.50	17	12	.63	85	90	80
4	4.026	4.62	9.00	11.50	19	14	.79	150	150	120
6	6.065	6.78	11.00	16.00	23	18	1.18	360	260	245
8	7.981	8.78	13.50	19.50	28	20	1.57	650	430	400
10	10.020	10.94	16.00	24.50	30	22	2.00	1100	590	510
12	12.000	12.97	19.00	27.50	34	24	2.50	1500	860	760

ANSI 300

Flanged and Butt Weld End

SIZE	d	d1	C	L	H	D	LIFT	Cv	WT (lbs) FL	WT (lbs) BW
2 1/2	2.469	2.96	7.50	11.50	17	10	.63	55	105	85
3	3.068	3.59	8.25	12.50	18	12	.63	85	120	90
4	4.026	4.62	10.00	14.00	21	16	.79	150	180	140
6	6.065	6.78	12.50	17.50	24	18	1.18	360	340	270
8	7.981	8.78	15.00	22.00	31	20	1.57	650	570	450
10	10.020	10.94	17.50	24.50	39	24	2.00	1100	1200	1070
12	12.000	12.97	20.50	28.00	47	27	2.50	1500	1700	1470

ANSI 600 - Consult factory.



5 Year Bellows Fatigue Warranty

EAGLE AMERICA, INC.

Valves For The Future

33 Plan Way - Building 5
Warwick, RI 02886

Sales: (401) 732-0333

Fax: (401) 732-2201

Toll Free: (800) 314-9246

<http://www.eagle-america.net>